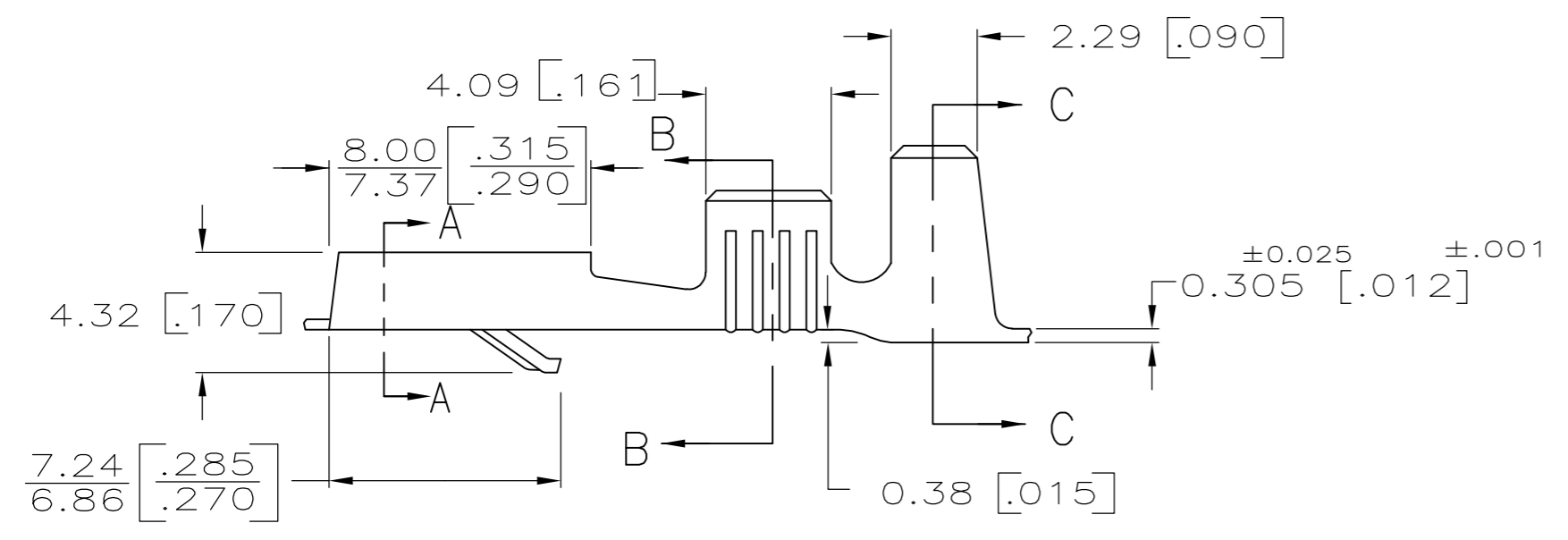
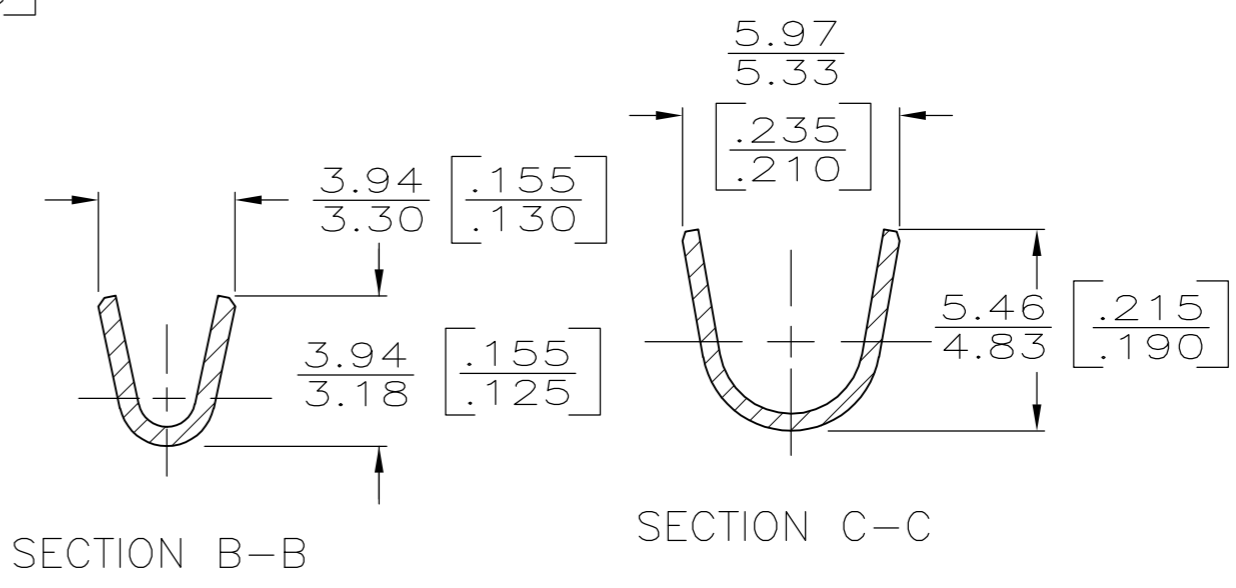
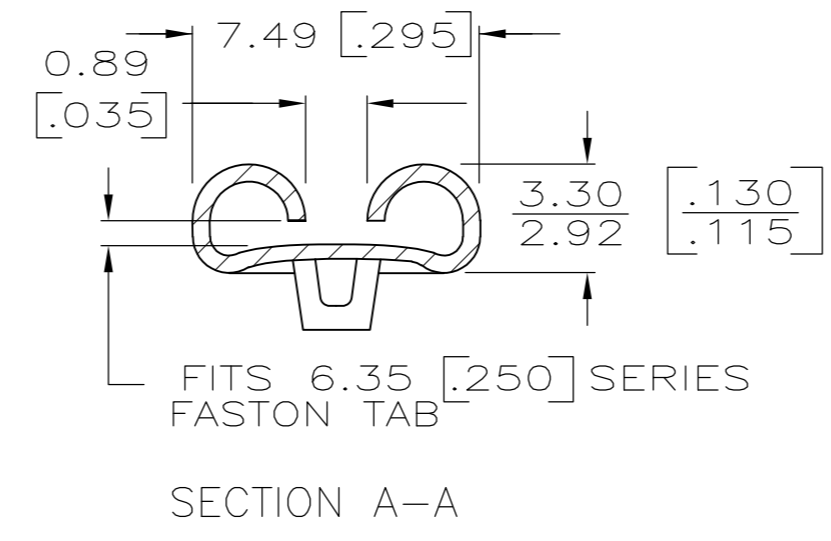
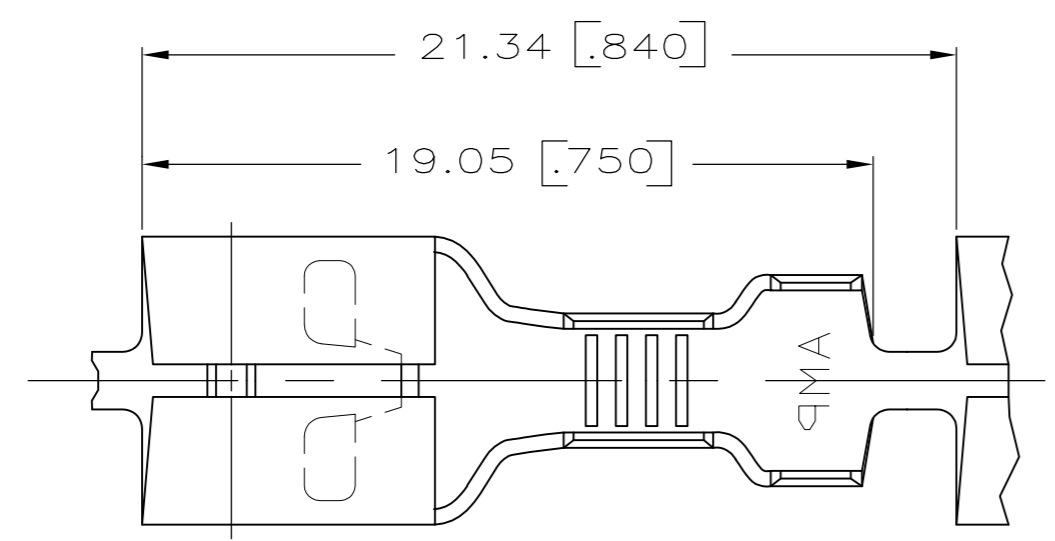


REVISIONS					
P	LTR	DESCRIPTION	DATE	DWN	APVD
AP1		REVISED PER ECR-16-013375	08OCT16	JJ	TD



- 1 DIMENSIONS IN BRACKETS ARE IN INCHES.
- 2 CONTINUOUS STRIP ON REELS.
- 3 FOR FOREIGN PRODUCTION ONLY.
- 4 NO RIB IN LOCKING LANCE.
- 5 NO STRESS RELIEVING
- 6 REELED WITH INTERLEAVING PAPER
- 8 OBSOLETE PARTS: OBSOLETE CIS STREAMLINING PER D.RENAUD/D.SINISI
- 9 SAME AS 42100-9 BUT REVERSE REELED.

FINISH	MATERIAL	INSULATION RANGE	WIRE SIZE	TAB THK	PART NO
TIN	BRASS	2.54 - 4.32	0.8 - 2.0 mm ²	±0.025	1-42100-9
TIN	BRASS				42100-9
TIN	BRASS	[.100 - .170]	[18 - 14]	0.81 [.032 ±.001]	2-42100-2
—	BRASS				2-42100-1
OBSOLETE	TIN				1-42100-2
OBSOLETE	—				1-42100-1
SILVER	BRASS				42100-3
TIN	BRASS				42100-2
—	BRASS				42100-1

THIS DRAWING IS A CONTROLLED DOCUMENT.		DWN	JR RUTH	2/5/88	TE TE Connectivity
DIMENSIONS: INCHES		CHK	MS FEHER	2/5/88	
TOLERANCES UNLESS OTHERWISE SPECIFIED:		APVD	C MEYERS	2/8/88	
0 PLC ± - 1 PLC ± - 2 PLC ± - 3 PLC ± 0.25 [.010] 4 PLC ± - ANGLES ± -		PRODUCT SPEC	NAME		
MATERIAL	SEE ABOVE	FINISH	SEE ABOVE	WEIGHT	0.000000
CUSTOMER DRAWING		SCALE	5:1	SHEET	1 of 1
		REV	AP1	RESTRICTED TO	